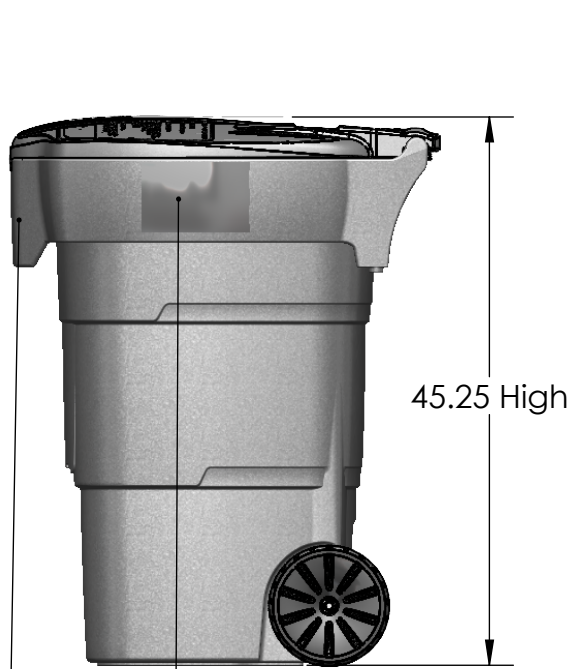


Fully automated bear resistant container. Tested with Grizzly bears.

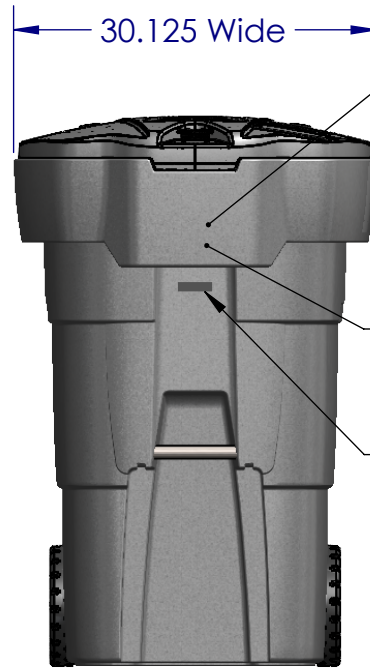
Model no. KP95-HDLL



45.25 High

6 x 9 area for custom graphic

Only one hand needed to open latch and lift the lid.

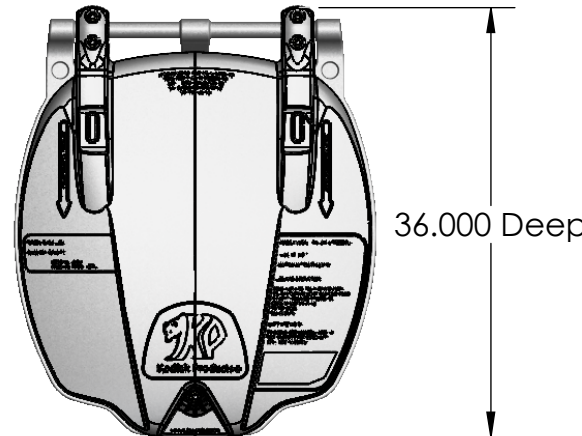


30.125 Wide

TO OPEN THE LID;  
Move lever, located under the apron, from left to right.  
Lever may be released before opening lid

How to open instruction graphic.

Bar code location



36.000 Deep

The upper section of the container is double walled as is the entire lid for superior strength.

Weight for the complete assembly is 56 pounds with both the container and lid being rotationally molded for long lasting durability.

The 2" x 10" wheels are rotationally molded and mounted to a 3/4" zinc chromate plated solid steel axle and will withstand 200 lbs. each.

IGBC Certification number  
5397

95 gallon nesting ratio = 7